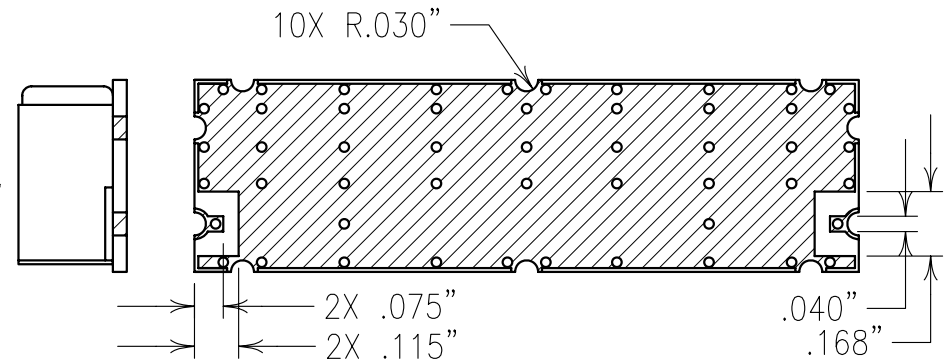
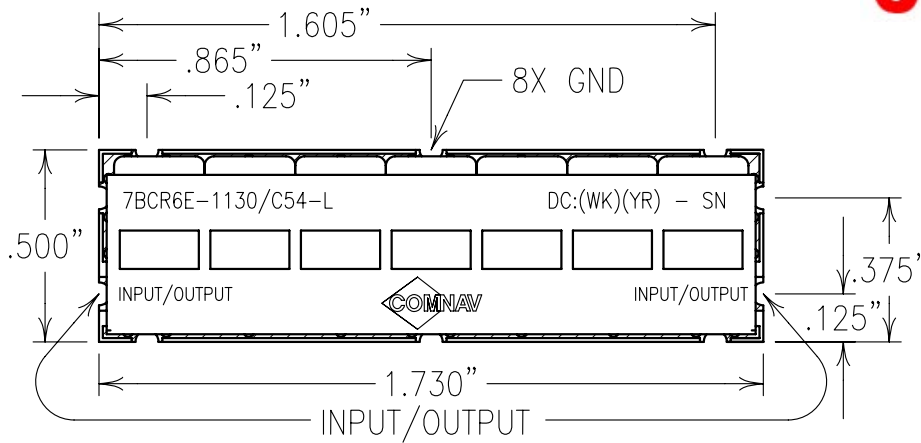
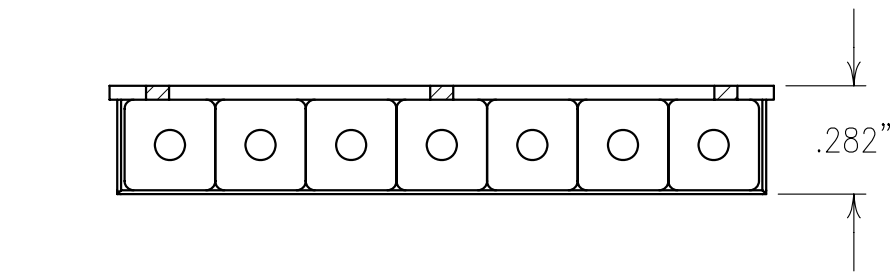


ELECTRICAL CHARACTERISTICS

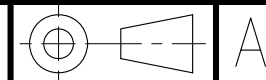
|                                   |               |
|-----------------------------------|---------------|
| CENTER FREQUENCY:                 | 1130 MHz      |
| 3 dB BANDWIDTH:                   | 54 MHz NOM    |
| 1 dB BANDWIDTH:                   | 40 MHz MIN    |
| 1.5 dB BANDWIDTH:                 | 48 MHz MIN    |
| VSWR ACROSS FO±18 MHz:            | <1.2:1        |
| 30 dBc REJECTION:                 | 1091 MHz      |
| 100 dBc REJECTION:                | 955-1005 MHz* |
| *DESIGN TO, CANNOT RELIABLY TEST* |               |

B

**COPY**



Confidential and Proprietary information of ComNav Engineering Inc. Do Not Duplicate or Use Without Permission. ComNav Engineering Inc. claims Copyright in this document as of the Creation, last revision, and last updated dates. All Rights Reserved.



NOTES:

RECOMMENDED ATTACHMENT METHOD: SILVER EPOXY OR REFLOW NOT TO EXCEED AS INDICATED BELOW:

TEMP.(°C) MAX.TIME(SEC)

|     |    |
|-----|----|
| 215 | 90 |
| 230 | 60 |
| 245 | 30 |
| 260 | 15 |

|  |  |                                |         |     |                 |
|--|--|--------------------------------|---------|-----|-----------------|
| ENGLISH / METRIC<br>ENGLISH  | CHECKED BY   |                                |         |     |                 |
| TOLERANCES UNLESS OTHERWISE SPECIFIED MACHINED SURFACES TO BE 125 OR BETTER REMOVE ALL BURRS | DRAWN BY<br>PBF  |                                |         |     |                 |
| ENGLISH (INCHES)<br>.XX ±.02<br>.XXX ±.01  | ENGINEER<br>MJG  | II                             | 22JUN05 | MJG | DEV.            |
| METRIC (MM)<br>.X ±.25<br>.XX ±.13   | SCALE<br>2:1   | REV                            | DATE    | BY  | DCN No.         |
| ANGLES ± 0° 30'  | DATE<br>23JUN05  | APPLIC: CERAMIC COAXIAL FILTER |         |     |                 |
|  | FINISH: BOARD: NI/AU<br>JACKET: NI/SILVER<br>RESONATOR: SILVER | TITLE: 7BCR6E-1130/C54-L       |         |     |                 |
|  |  | DRAWING No.<br>OL0596          |         |     | SHEET/OF<br>1/1 |

A