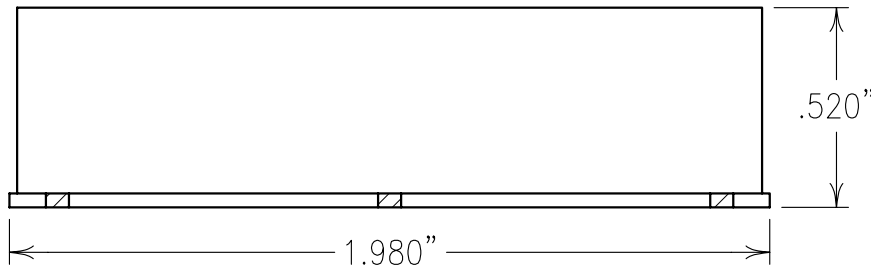


ELECTRICAL CHARACTERISTICS

CENTER FREQUENCY: 915.75 MHz
 PASSBAND: 912.75-918.75 MHz
 I.L.: 4.0 dB MAX @ Fo
 VSWR: 1.5:1 TYP.
 MAX. INPUT POWER: 36 dBm
 REJECTION:
 20 dB MIN @ 909.75 MHz
 20 dB MIN @ 921.75 MHz
 OPERATING TEMP.: -40° TO +75° C

COPY

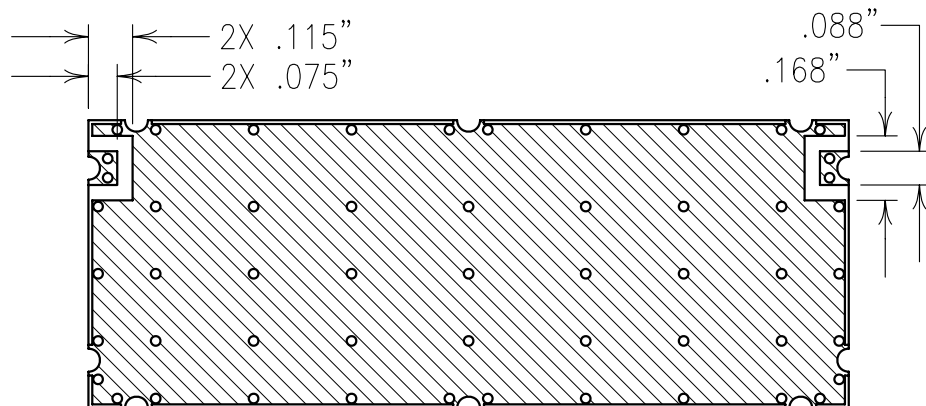


NOTES:

RECOMMENDED ATTACHMENT METHOD: SILVER EPOXY OR REFLOW NOT TO EXCEED AS INDICATED BELOW.

TEMP.(°C)	MAX.TIME (SEC)
215	90
230	60
245	30
260	15

RECOMMENDED FOOTPRINT: FP0096.



Confidential and Proprietary information of ComNav Engineering Inc. Do Not Duplicate or Use Without Permission. ComNav Engineering Inc. claims Copyright in this document as of the Creation, last revision, and last updated dates. All Rights Reserved.

ENGLISH / METRIC ENGLISH	CHECKED BY						
TOLERANCES UNLESS OTHERWISE SPECIFIED MACHINED SURFACES TO BE 125/ OR BETTER REMOVE ALL BURRS	DRAWN BY PBF						
	ENGINEER MJG	II	05JAN05	MJG	DEV.	INI. ISS. PER 2332	
		REV	DATE	BY	DCN No.	REMARKS	
ENGLISH (INCHES) .XX ±.02 .XXX ±.010	METRIC (MM) .X ±.5 .XX ±.25	SCALE 2:1	APPLIC: CERAMIC COAXIAL FILTER				
ANGLES ± 0° 30'	DATE 25JAN05	TITLE: 4BCR12C-915.75/6-L					
	FINISH: BOARD: NI/AU PLATED COPPER JACKET: NI/SILVER RESONATOR: SILVER	DRAWING No. OL0572			SHEET OF 1 1		