

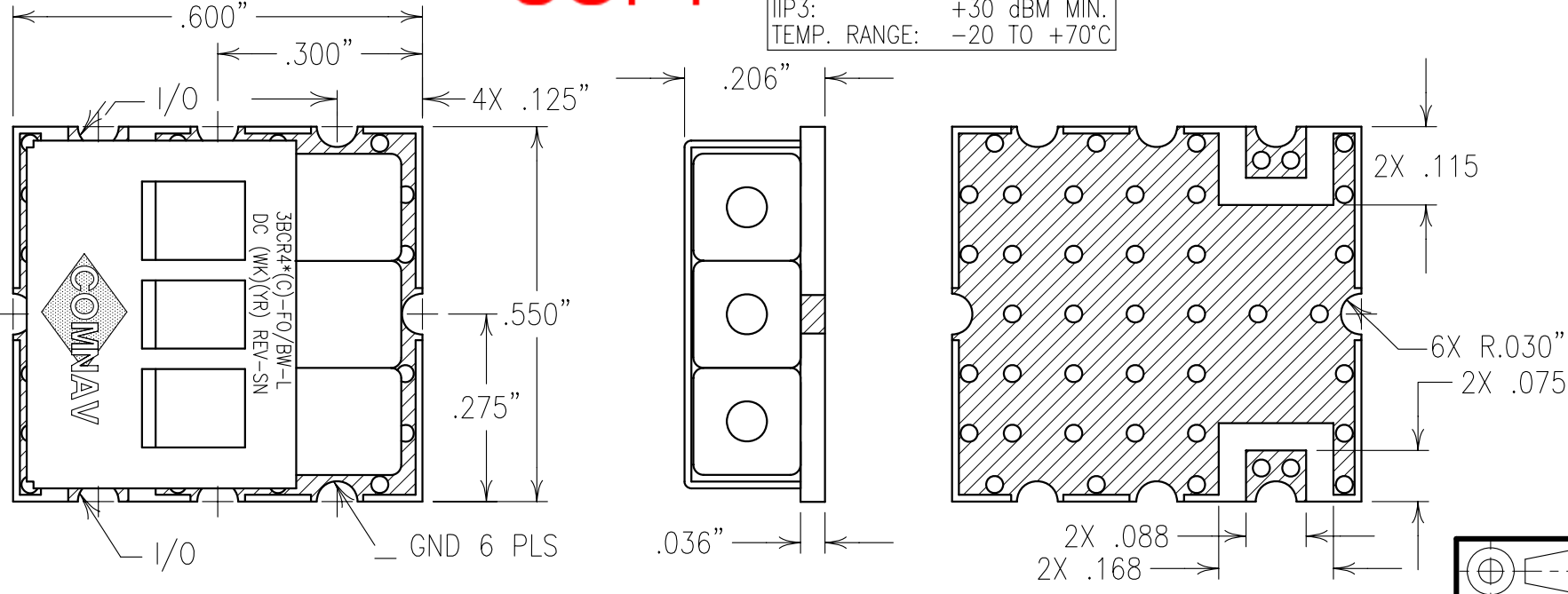
PART NUMBERS	
3BCR4EC-920/120-L	
3BCR4B-1747.5/110-L	
3BCR4BC-1857.5/150-L	
3BCR4B-1960/85-L	
3BCR4EC-859/70-L	
3BCR4EC-892/136-L	

ITEM	F ₀	BW	LOWER	UPPER
(1)	920	80	880	960
(2)	1747.5	75	1710	1785
(3)	1857.5	105	1805	1910
(4)	1960	60	1930	1990
(5)	859	70	824	894
(6)	892	136	824	960

REJECTION CHARACTERISTICS								
#	-40 dBc		-20 dBc		-20 dBc		-40 dBc	
	LOW	HIGH	LOW	HIGH	LOW	HIGH	LOW	HIGH
(1)	300	700	700	810	1080	1320	1320	2400
(2)	300	1500	1500	1620	1900	2100	2100	4000
(3)	300	1550	1550	1700	2075	2300	2300	4000
(4)	500	1760	1760	1850	2090	2220	2220	4000
(5)	300	610	610	730	1000	1230	1230	2150
(6)	300	480	480	680	1170	1500	1500	2150

INSERTION LOSS: <2.0 dB MAX.
 VSWR ACROSS PASSBAND: 1.5:1 MAX.
 IMPEDANCE: 50 OHMS
 IIP3: +30 dBM MIN.
 TEMP. RANGE: -20 TO +70°C

COPY



Confidential and Proprietary information of ComNav Engineering Inc. Do Not Duplicate or Use Without Permission. ComNav Engineering Inc. claims Copyright in this document as of the Creation, last revision, and last updated dates. All Rights Reserved.

NOTES: FOR RECOMMENDED FOOTPRINT SEE FP0024.
 RECOMMENDED ATTACHMENT METHOD: SILVER EPOXY OR REFLOW NOT TO EXCEED AS INDICATED BELOW:
 TEMP.(°C) MAX. TIME(SEC)

215	90
230	60
245	30
260	15

FILTER IS ROHS COMPLIANT.
 FILTER MAY BE LABELED OR ETCHED.

ENGLISH / METRIC	ENGLISH	CHECKED BY	C	15MAR06	KJR	DEV.	GEN. REV. PER 2500
TOLERANCES UNLESS OTHERWISE SPECIFIED	MACHINED SURFACES TO BE 125 / OR BETTER	DRAWN BY	B	02DEC05	GML	DEV.	GEN. REV. PER 2459
REMOVE ALL BURRS	ENGINEER	A	13APR05	TLA	DEV.	GEN. REV. PER 2360	
ENGLISH (INCHES)	METRIC (MM)	SCALE	4:1	DATE	15MAR06	BY	DCN No.
.XX ±.02	.X ±.25	APPLIC:	CERAMIC COAXIAL FILTER				
.XXX ±.010	.XX ±.13	TITLE:	3BCR4*(C)-FO/BW-L				
ANGLES ± 0° 30'		FINISH:	BOARD: NI/GOLD JACKET: NI/SILVER RESONATOR: SILVER				DRAWING No.
							0L0570

