

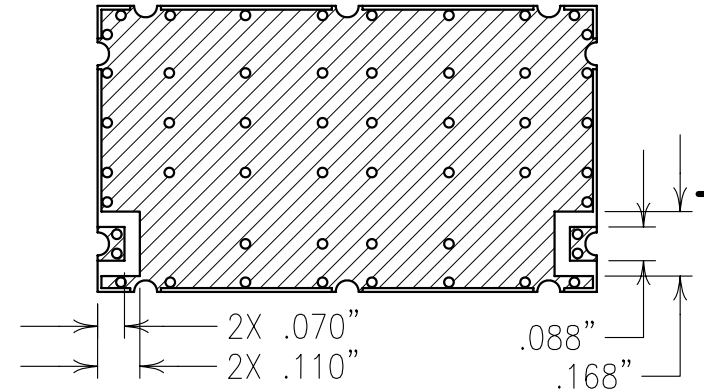
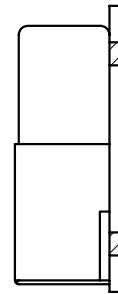
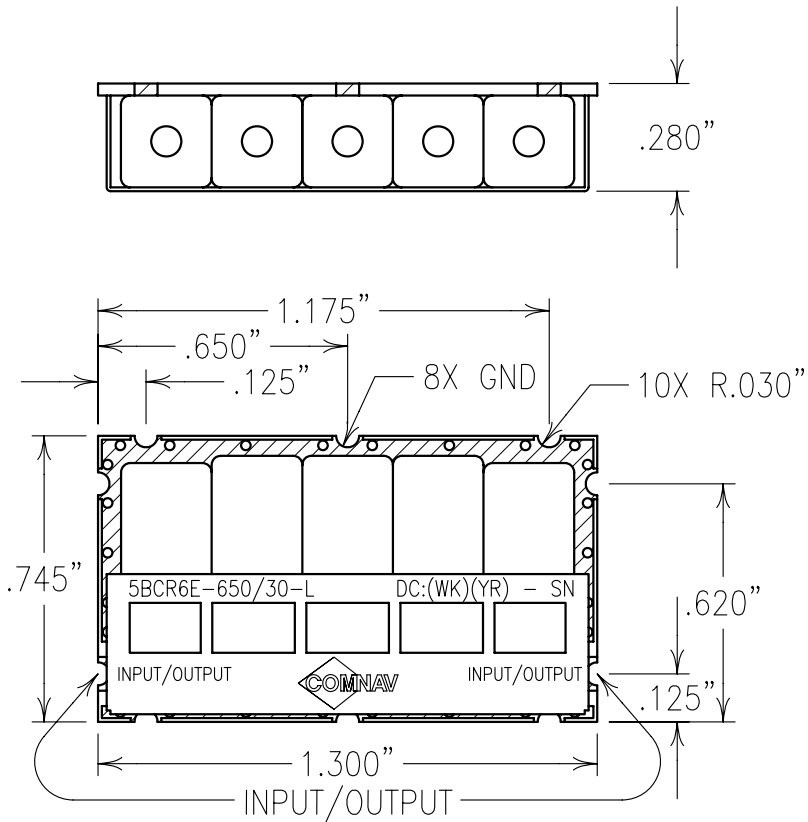
2

1

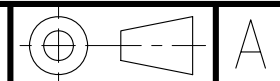
ELECTRICAL CHARACTERISTICS

CENTER FREQUENCY: 650 MHz
 3 dB BANDWIDTH: 30 MHz MIN
 3 dB PASSBAND: 635-665 MHz
 P.B. INSERTION LOSS: <2.0 dB
 PASSBAND VSWR: 1.5:1 MAX
 REJECTION:
 DC-543 MHz: 70 dB MIN
 543-589 MHz: 55 dB MIN
 711-773 MHz: 50 dB MIN
 773-1500 MHz: 70 dB MIN
 OPERATING TEMP.: -20 TO +70 °C
 STORAGE TEMP.: -40 TO +85 °C

COPY



Confidential and Proprietary information of ComNav Engineering Inc. Do Not Duplicate or Use Without Permission. ComNav Engineering Inc. claims Copyright in this document as of the Creation, last revision, and last updated dates. All Rights Reserved.



NOTES:

RECOMMENDED ATTACHMENT METHOD: SILVER EPOXY
 OR REFLOW NOT TO EXCEED AS INDICATED BELOW:

TEMP.(°C) MAX.TIME(SEC)

215	90
230	60
245	30
260	15

ENGLISH / METRIC ENGLISH		CHECKED BY			
TOLERANCES UNLESS OTHERWISE SPECIFIED MACHINED SURFACES TO BE 125 OR BETTER REMOVE ALL BURRS		DRAWN BY PBF			
ENGLISH (INCHES) .XX ±.02 .XXX ±.01		ENGINEER SCP		INI. ISS. PER 2278	
METRIC (MM) .X ±.25 .XX ±.13		REV	DATE	BY	DCN No.
ANGLES ± 0° 30'		SCALE 2:1			
		APPLIC: CERAMIC COAXIAL FILTER			
		DATE 16AUG04			
		TITLE: 5BCR6E-650/30-L			
FINISH: BOARD: NI/AU JACKET: NI/SILVER RESONATOR: SILVER		DRAWING No. OL0553		SHEET/OF 1/1	