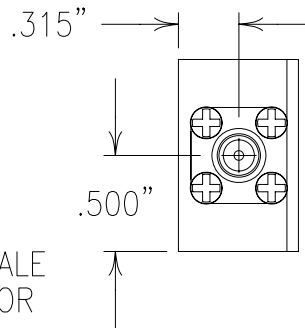


**COPY**



ELECTRICAL CHARACTERISTICS

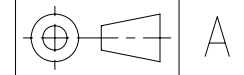
BAND 1	
PASSBAND:	2401-2421 MHz
LOSS @ 2401:	< 0.6 dB
LOSS @ 2412:	< 1.0 dB
LOSS @ 2421:	< 3.0 dB
REJECTION @ 2428-2448:	20 dB

BAND 6L	
PASSBAND:	2426-2446 MHz
LOSS @ 2426:	< 0.6 dB
LOSS @ 2437:	< 1.0 dB
LOSS @ 2446:	< 3.0 dB
REJECTION @ 2453-2473:	20 dB

BAND 6H	
PASSBAND:	2428-2448 MHz
LOSS @ 2428:	< 3.0 dB
LOSS @ 2437:	< 1.0 dB
LOSS @ 2448:	< 0.6 dB
REJECTION @ 2401-2421:	20 dB

BAND 11	
PASSBAND:	2453-2473 MHz
LOSS @ 2453:	< 3.0 dB
LOSS @ 2462:	< 1.0 dB
LOSS @ 2473:	< 0.6 dB
REJECTION @ 2426-2446:	20 dB

ALL BANDS VSWR:	< 1.7:1
-----------------	---------



Confidential and Proprietary information of ComNav Engineering Inc. Do Not Duplicate or Use Without Permission. ComNav Engineering Inc. claims Copyright in this document as of the Creation, last revision, and last updated dates. All Rights Reserved.

NOTES:

ENGLISH / METRIC ENGLISH	CHECKED BY				
TOLERANCES UNLESS OTHERWISE SPECIFIED MACHINED SURFACES TO BE 125 OR BETTER REMOVE ALL BURRS	DRAWN BY PBF				
	ENGINEER MJG	II	15OCT03	MJG	DEV. INI. ISS. PER 2126
		REV	DATE	BY	DCN No. REMARKS
ENGLISH (INCHES) .XX ±.01 .XXX ±.005	METRIC (MM) .X ±.2 .XX ±.13	SCALE 1:1	APPLIC: CERAMIC COAXIAL FILTER		
ANGLES ± 0° 30'	DATE 27OCT03	TITLE: 4NCR8B-* -0			
	MATERIAL: COVER: ALUMINUM BASE: ALUMINUM			DRAWING No.	
	FINISH: COVER: NICKEL PLATE BASE: NICKEL PLATE			SHEET OF 1 1	
			0L0491		