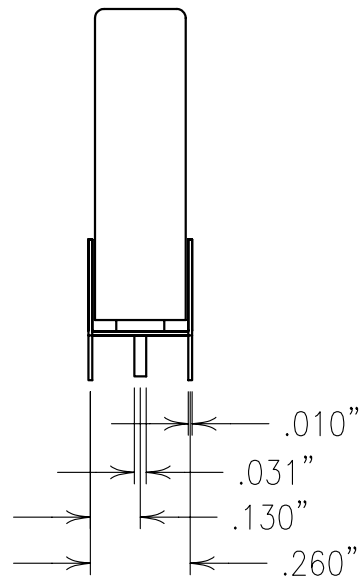
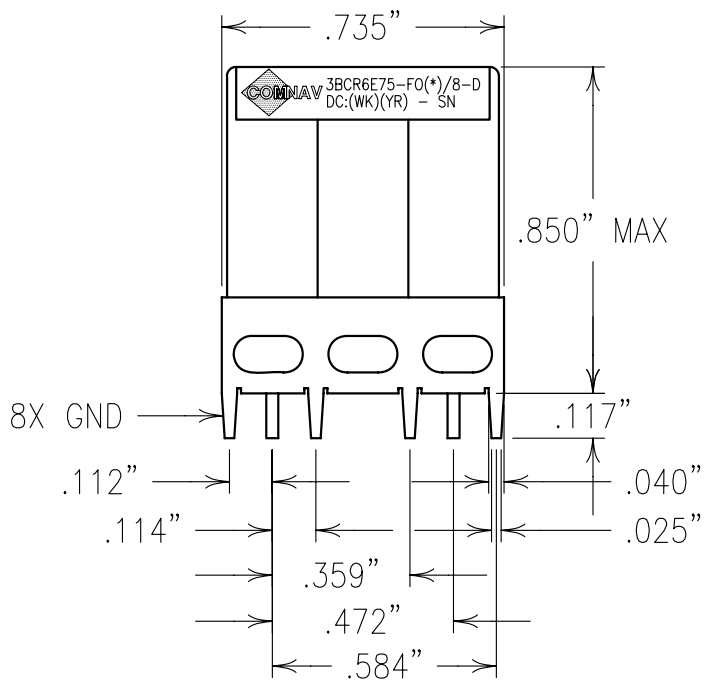


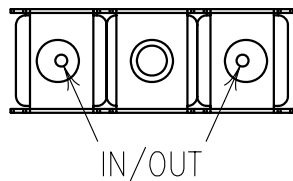
2

1



ELECTRICAL CHARACTERISTICS	
CENTER FREQUENCY:	RANGE 453-861 MHz
3dB BANDWIDTH:	8 MHz MAX
2 dB BANDWIDTH:	6 MHz MIN
LOSS @ Fo:	<4.5 dB
VSWR:	1.5:1 TYP.
IMPEDANCE:	75 OHMS
40 dB BANDWIDTH:	fo±28 MHz

COPY



NOTES:

Confidential and Proprietary information of ComNav Engineering Inc. Do Not Duplicate or Use Without Permission. ComNav Engineering Inc. claims Copyright in this document as of the Creation, last revision, and last updated dates. All Rights Reserved.

ENGLISH / METRIC ENGLISH		CHECKED BY								A	
TOLERANCES UNLESS OTHERWISE SPECIFIED MACHINED SURFACES TO BE 125/ OR BETTER REMOVE ALL BURRS		DRAWN BY		A	24FEB03	TLW	DEV.	GEN. REV. PER 2018			
		ENGINEER		II	23AUG02	MJG	DEV.	INI. ISS. PER 1936			
		M/JG		REV	DATE	BY	DCN No.	REMARKS			
ENGLISH (INCHES)		METRIC (MM)		SCALE		APPLIC: CERAMIC COAXIAL FILTER					
.XX ±.02 .XXX ±.010		.X ±.25 .XX ±.13		2:1		TITLE: 3BCR6E75-F0(*)/8-D					
ANGLES ± 0° 30'				DATE		03MAR03					
COMNAV ENGINEERING INC.		FINISH: JACKET: NI/SILVER RESONATOR: SILVER				DRAWING No.		SHEET OF 1 1			
						OL0424					