

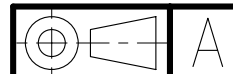
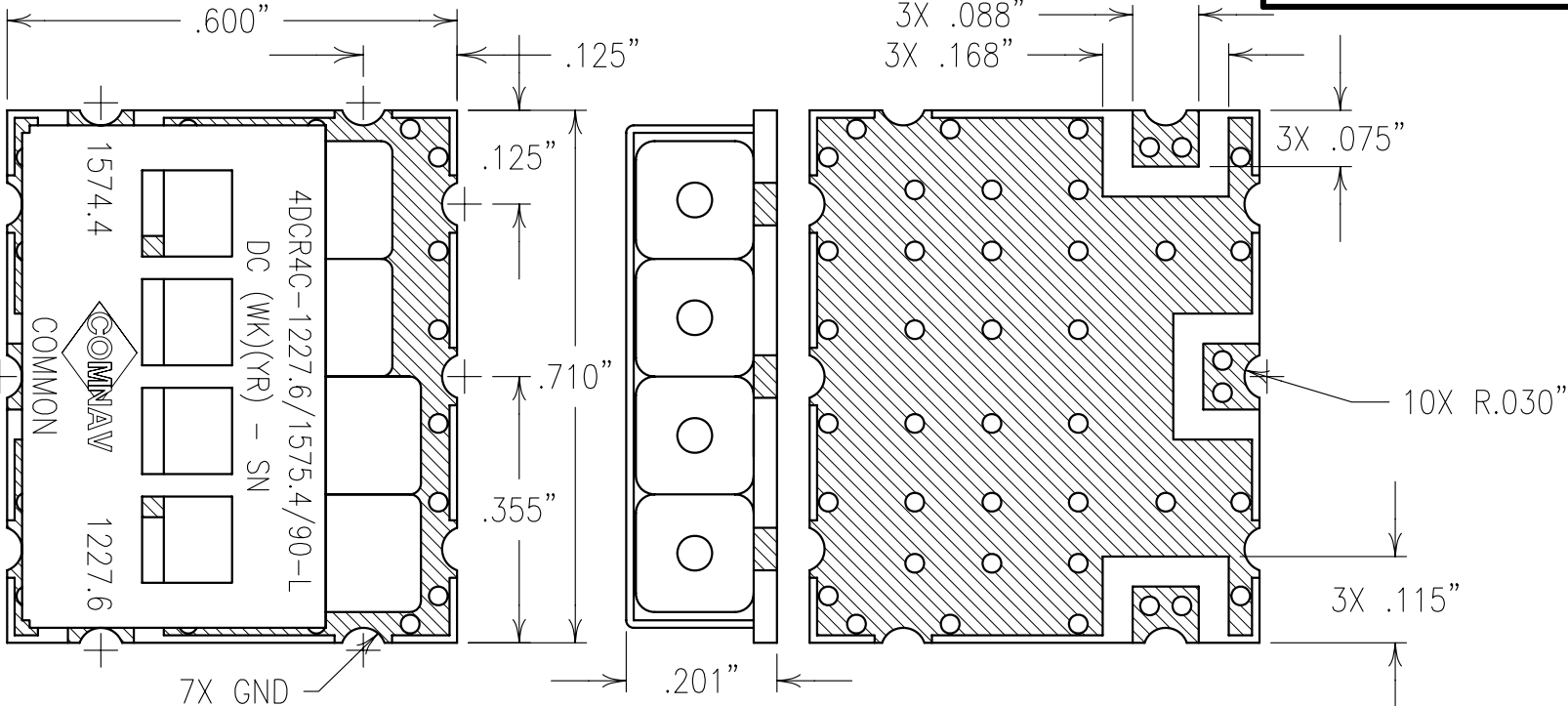
2

1

**COPY**

**ELECTRICAL CHARACTERISTICS**

|                        | CHANNEL 1     | CHANNEL 2     |
|------------------------|---------------|---------------|
| CENTER FREQUENCY       | 1575.4 MHz    | 1227.6 MHz    |
| PASSBAND(MHz)          | 1565.4-1585.4 | 1217.6-1237.6 |
| 3dB PASSBAND           | 90 MHz NOM    | 90 MHz NOM    |
| PASSBAND DELAY VAR.    | <0.5 nSEC     | <0.5 nSEC     |
| PASSBAND AMP. FLATNESS | <0.1 dB       | <0.1 dB       |
| PASSBAND LOSS          | < 0.7 dB      | < 0.7 dB      |
| VSWR                   | 1.7:1         | 1.7:1         |
| CO-CHANNEL ISOLATION   | >30 dBc       | >30 dBc       |
| IMPEDANCE              | 50 OHMS       | 50 OHMS       |



Confidential and Proprietary information of ComNav Engineering Inc. Do Not Duplicate or Use Without Permission. ComNav Engineering Inc. claims Copyright in this document as of the Creation, last revision, and last updated dates. All Rights Reserved.

NOTES:

FOR RECOMMENDED FOOTPRINT SEE FP0002.

RECOMMENDED ATTACHMENT METHOD: SILVER EPOXY OR REFLOW NOT TO EXCEED AS INDICATED BELOW:

| TEMP.(°C) | MAX. TIME(SEC) |
|-----------|----------------|
| 215       | 90             |
| 230       | 60             |
| 245       | 30             |
| 260       | 15             |

FILTER IS ROHS COMPLIANT.  
FILTER MAY BE ETCHED OR LABELED.

| ENGLISH / METRIC                      | CHECKED BY | REV  | DATE | BY   | DCN No. | REMARKS                   |
|---------------------------------------|------------|--|------|------|---------|---------------------------|
| ENGLISH                               | B          | 09AUG06  | MJG  | DEV. |         | GEN. REV. PER 2547        |
| TOLERANCES UNLESS OTHERWISE SPECIFIED | A          | 12AUG02  | TLW  | DEV. |         | GEN. REV. PER 1933        |
| MACHINED SURFACES TO BE 125 OR BETTER | II         | 07AUG02  | MJG  | DEV. |         | INI. ISS. PER 1930        |
| REMOVE ALL BURRS                      | ENGINEER   |  |      |      |         |                           |
|                                       | MJG        |  |      |      |         |                           |
| ENGLISH (INCHES)                      | SCALE      | APPLIC:  |      |      |         | CERAMIC COAXIAL FILTER    |
| METRIC (MM)                           | 4:1        | TITLE:   |      |      |         | 4DCR4C-1227.6/1575.4/90-L |
| .XX ±.02                              | DATE       | DRAWING No.  |      |      |         | SHEET OF<br>1 1           |
| .XXX ±.010                            | 08AUG06    | BOARD: NI/GOLD<br>JACKET: NI/SILVER<br>RESONATOR: SILVER |      |      |         |                           |
| ANGLES ± 0° 30'                       | FINISH:    | DRAWING No.  |      |      |         | OL0421                    |