

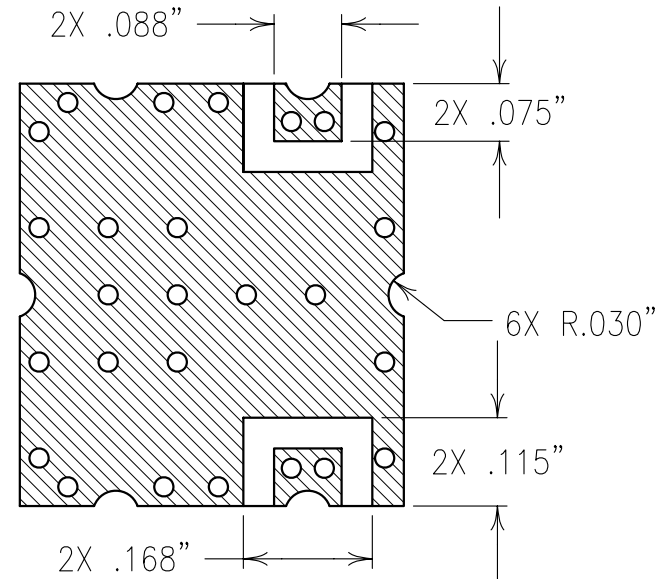
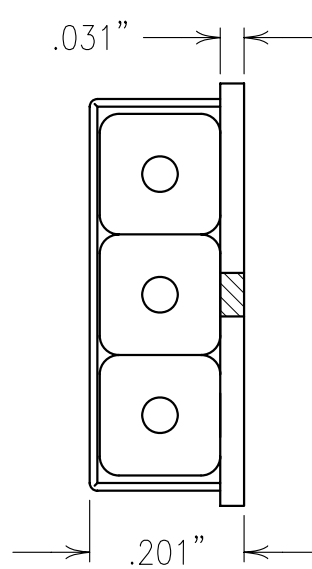
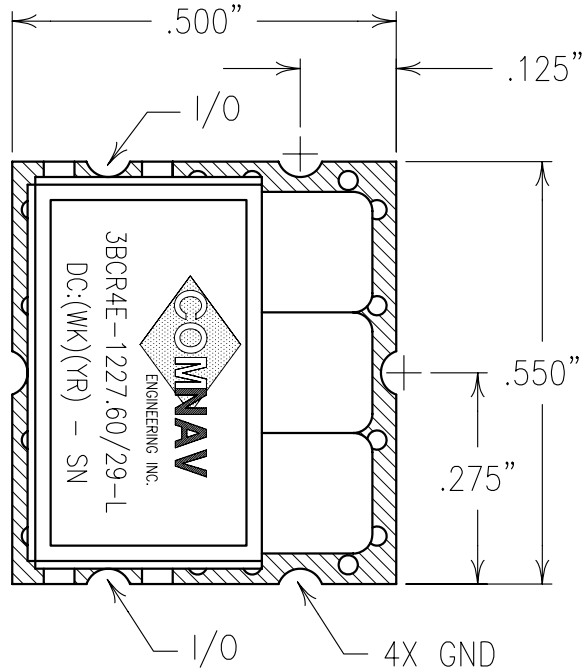
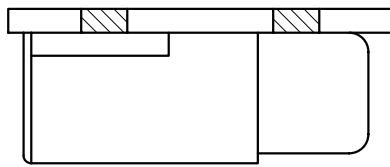
2

1

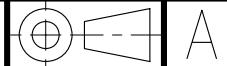
ELECTRICAL CHARACTERISTICS

CENTER FREQUENCY fo(*)	1227.60 MHz
PASSBAND	1217.60-1237.60 MHz
PASSBAND FLATNESS	2 dB
PASSBAND GROUP DELAY FLATNESS	±3 nSEC P-P
REJECTION:	
fo(*) ±50 MHz	30 dBc
fo(*) ±100 MHz	48 dBc
INSERTION LOSS:	
AT 1227.6 MHz	2.7 dB

**COPY**



Confidential and Proprietary information of ComNav Engineering Inc. Do Not Duplicate or Use Without Permission. ComNav Engineering Inc. claims Copyright in this document as of the Creation, last revision, and last updated dates. All Rights Reserved.



NOTES:  
 FOR RECOMMENDED FOOTPRINT SEE FP0009.  
 RECOMMENDED ATTACHMENT METHOD: SILVER EPOXY  
 OR REFLOW NOT TO EXCEED AS INDICATED BELOW:

TEMP.(°C)	MAX.TIME(SEC)
215	90
230	60
245	30
260	15

ENGLISH / METRIC ENGLISH	CHECKED BY				
TOLERANCES UNLESS OTHERWISE SPECIFIED	DRAWN BY				
MACHINED SURFACES TO BE 125 / OR BETTER REMOVE ALL BURRS	ENGINEER	II	26JUL01	JMD	DEV.
	SCALE	REV	DATE	BY	DCN No.
ENGLISH (INCHES)	METRIC (MM)	APPLIC: COAXIAL FILTER			
.XX ±.01	.X ±.25	TITLE: 3BCR4E-1227.60/29-L			
.XXX ±.005	.XX ±.13	DATE	13SEP01		
ANGLES ± 0° 30'	FINISH:		DRAWING No.		SHEET OF
	BOARD: NICKEL/GOLD JACKET: NICKEL/SILVER RESONATORS: SILVER		010345		1 1