

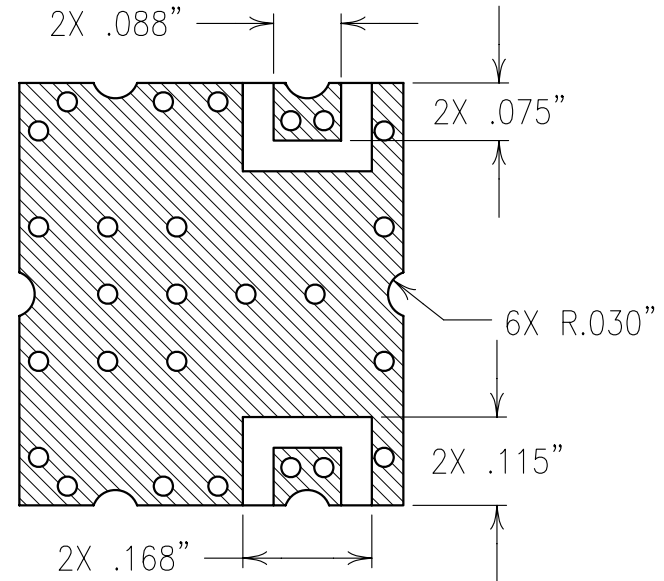
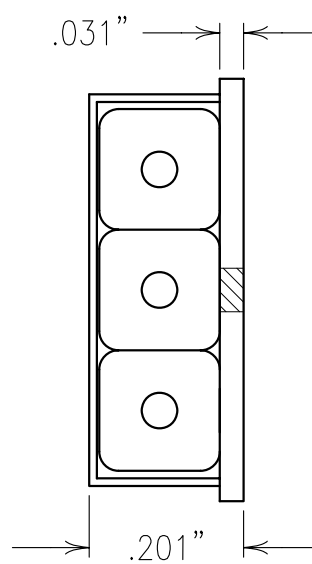
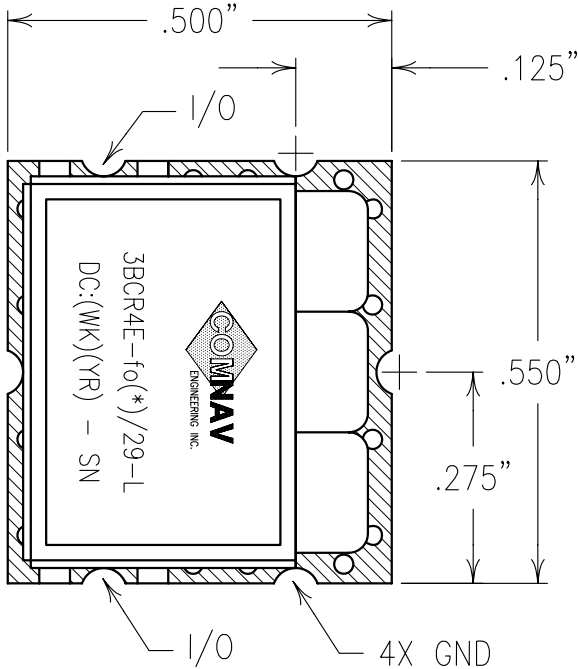
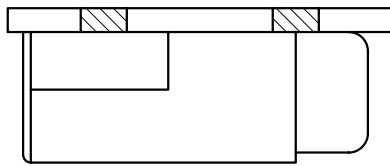
2

1

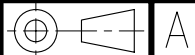
ELECTRICAL CHARACTERISTICS

CENTER FREQUENCY fo(*)	1227.60, 1575.42 MHz
PASSBAND	fo(*) ±10 MHz
PASSBAND FLATNESS	2 dB
PASSBAND GROUP DELAY FLATNESS	±3 nSEC P-P
REJECTION:	
fo(*) ±50 MHz	30 dBc
fo(*) ±100 MHz	48 dBc
INSERTION LOSS:	
fo=1575.42 MHz	3.2 dB
fo=1227.6 MHz	2.7 dB

COPY



Confidential and Proprietary information of ComNav Engineering Inc. Do Not Duplicate or Use Without Permission. ComNav Engineering Inc. claims Copyright in this document as of the Creation, last revision, and last updated dates. All Rights Reserved.



NOTES:  
 FOR RECOMMENDED FOOTPRINT SEE FP0009.  
 RECOMMENDED ATTACHMENT METHOD: SILVER EPOXY  
 OR REFLOW NOT TO EXCEED AS INDICATED BELOW:

TEMP.(°C)	MAX.TIME(SEC)
215	90
230	60
245	30
260	15

ENGLISH / METRIC ENGLISH	CHECKED BY				
TOLERANCES UNLESS OTHERWISE SPECIFIED MACHINED SURFACES TO BE 125 / OR BETTER REMOVE ALL BURRS	DRAWN BY RME				
ENGLISH (INCHES) .XX ±.02 .XXX ±.01	ENGINEER KJR	II	11APR01	KJR	DEV. INI. ISS. PER 1607
METRIC (MM) .X ±.25 .XX ±.13	SCALE 4:1	REV	DATE	BY	DCN No. REMARKS
ANGLES ± 0° 30'	DATE 02MAY01	APPLIC: CERAMIC COAXIAL FILTER			SHEET NO/OF 1 1
COMNAV ENGINEERING INC.	FINISH: CARRIER BOARD: NI/AU PLATED COPPER JACKET: NI/SILVER RESONATOR: SILVER	DRAWING No. 0L0326			