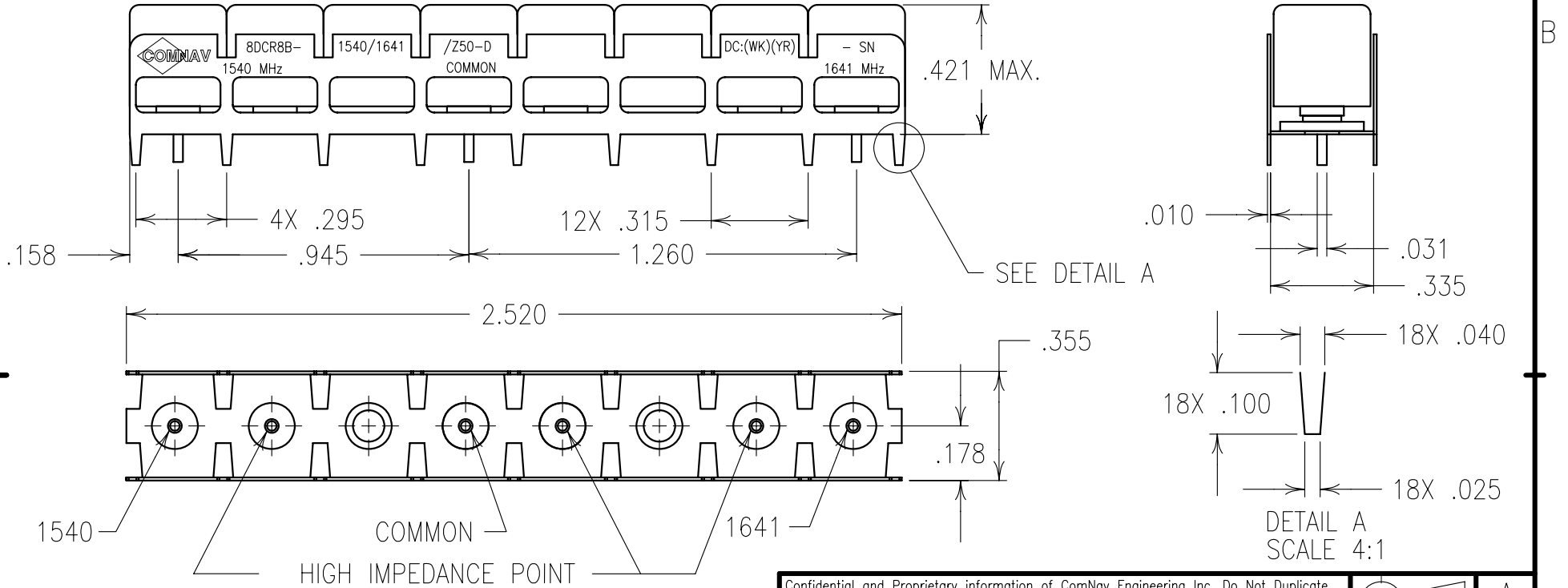


COPY

ELECTRICAL SPECIFICATIONS

RECEIVE BAND	1525-1559 MHz	TRANSMIT BAND	1626.5-1660.5 MHz
PASSBAND	<1.2 dB	PASSBAND LOSS	<1.2 dB
PASSBAND FLATNESS	<1.0 dB	PASSBAND FLATNESS	<1.0 dB
PASSBAND VSWR	<1.5:1	PASSBAND VSWR	<1.5:1
REJECTION:		REJECTION:	
1626.5-1660.5 MHz	55 dB	1525-1559 MHz	55 dB



Confidential and Proprietary information of ComNav Engineering Inc. Do Not Duplicate or Use Without Permission. ComNav Engineering Inc. claims Copyright in this document as of the Creation, last revision, and last updated dates. All Rights Reserved.

NOTES:
 1) DC: IS ON ONE SIDE ONLY.
 2) THERE MUST BE A MINIMUM OF .050 AIR SPACE BETWEEN GROUND AND HIGH IMPEDANCE POINTS. THIS MAY BE ACCOMPLISHED BY RAISING THE FILTER OR DRILLING OUT THE BOARD.
 FOR RECOMMENDED FOOTPRINT SEE FP0033.

ENGLISH / METRIC ENGLISH	CHECKED BY				
TOLERANCES UNLESS OTHERWISE SPECIFIED MACHINED SURFACES TO BE 125 / OR BETTER REMOVE ALL BURRS	DRAWN BY RME				
ENGLISH (INCHES) .XX ±.02 .XXX ±.010	ENGINEER KJR	II	25JAN01	KJR	DEV.
METRIC (MM) .X ±.25 .XX ±.13	SCALE 2:1	REV	DATE	BY	DCN No.
ANGLES ± 0° 30'	DATE 26JAN01	APPLIC: CERAMIC COAXIAL FILTER			
COMNAV ENGINEERING INC.	MATERIAL: N/A	TITLE: 8DCR8B-1540/1641/Z50-D			SHEET NO/OF 1 1
	FINISH: N/A	DRAWING No. 010301			