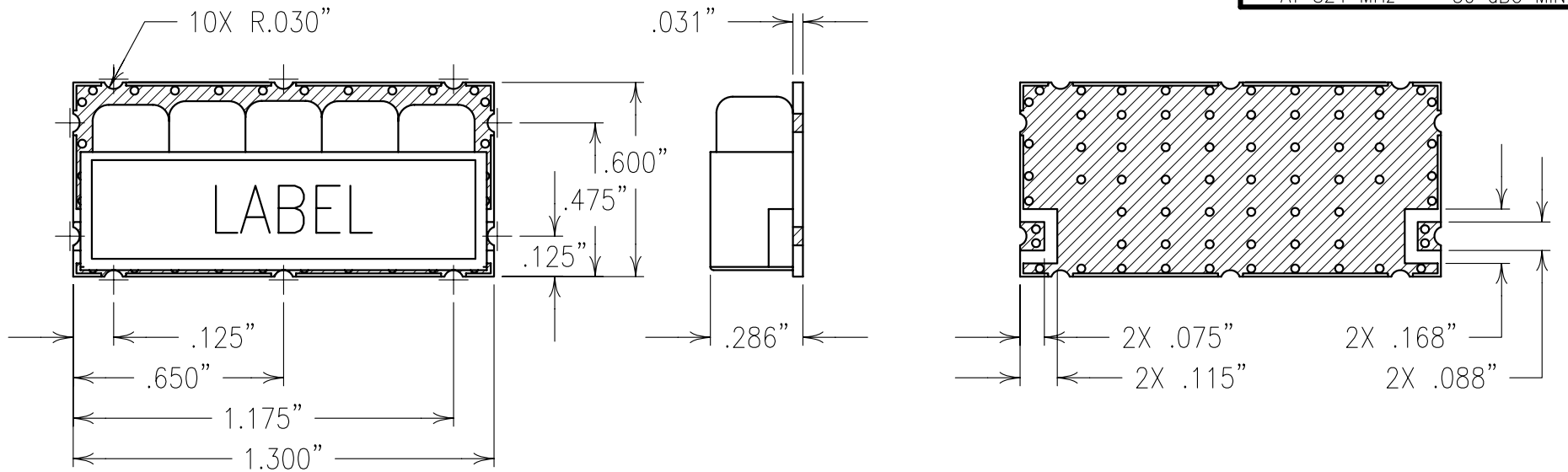


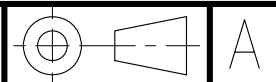
COPY

ELECTRICAL CHARACTERISTICS	
CENTER FREQUENCY	860 MHz
3 dB BANDWIDTH	30 MHz NOM
VSWR	1.7:1 TYP
PASSBAND	850-870 MHz
PASSBAND LOSS	2.2 dB MAX
STOPBAND:	
AT 905 MHz	40 dBC MIN.
AT 824 MHz	30 dBC MIN.



COPPER

Confidential and Proprietary information of ComNav Engineering Inc. Do Not Duplicate or Use Without Permission. ComNav Engineering Inc. claims Copyright in this document as of the Creation, last revision, and last updated dates. All Rights Reserved.



NOTES:

FOR RECOMMENDED FOOTPRINT SEE FP0014.
 RECOMMENDED ATTACHMENT METHOD: SILVER EPOXY
 OR REFLOW NOT TO EXCEED AS INDICATED BELOW:

TEMP.(°C)	MAX.TIME(SEC)
215	90
230	60
245	30
260	15

ENGLISH / METRIC ENGLISH	CHECKED BY				
TOLERANCES UNLESS OTHERWISE SPECIFIED MACHINED SURFACES TO BE 125 OR BETTER REMOVE ALL BURRS	DRAWN BY PBF				
ENGLISH (INCHES) .XX ±.02 .XXX ±.01	ENGINEER KJR	REV II	DATE 18JUL00	BY KJR	DEV. DEV.
METRIC (MM) .X ±.25 .XX ±.13	SCALE 2:1	APPLIC: CERAMIC COAXIAL FILTER			
ANGLES ± 0° 30'	DATE 18JUL00	TITLE: 5BCR6E-860/36-L			
	FINISH: BOARD: TINPLATED COPPER JACKET: NI/SILVER RESONATOR: SILVER	DRAWING No. 0L0249			SHEET/OF 1/1