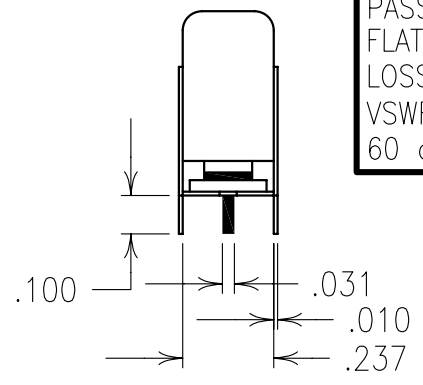
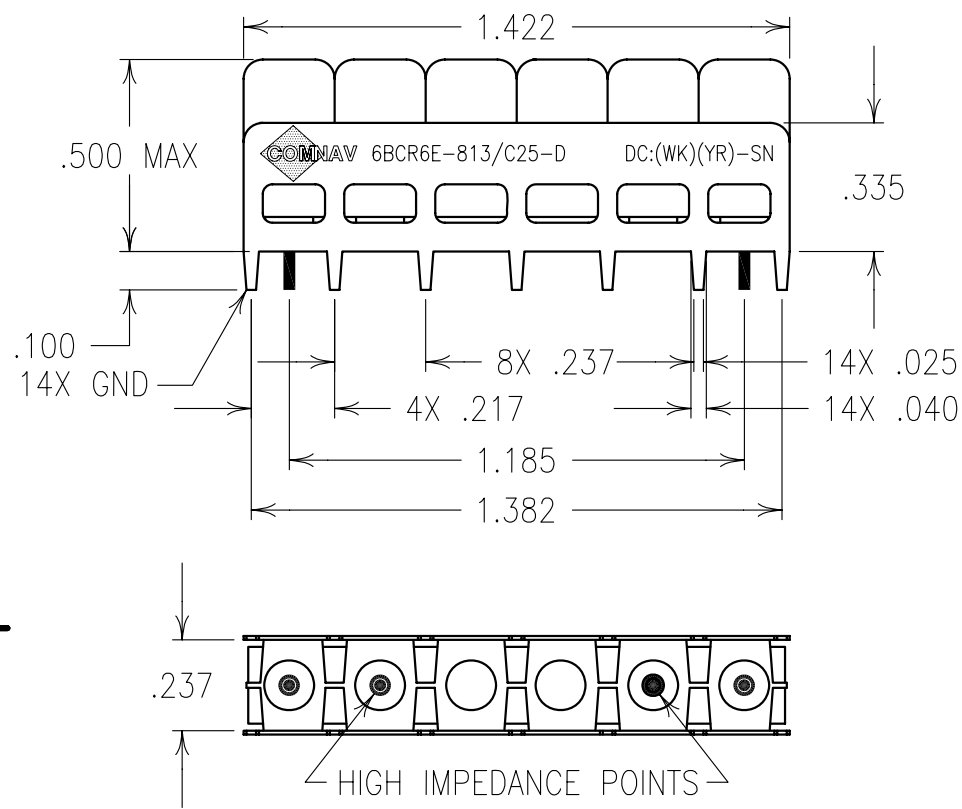


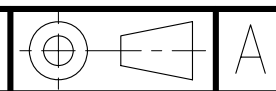
ELECTRICAL CHARACTERISTICS

CENTER FREQUENCY	813 MHz NOM
3 dB BANDWIDTH	25 MHz NOM
PASSBAND	806-821 MHz
FLATNESS	<1 dB
LOSS AT fo	<2.5 dB
VSWR	1.7:1 TYP
60 dBc REJECTION	850-870 MHz



COPY

Confidential and Proprietary information of ComNav Engineering Inc. Do Not Duplicate or Use Without Permission. ComNav Engineering Inc. claims Copyright in this document as of the Creation, last revision, and last updated dates. All Rights Reserved.



NOTES:
 FILTER IS A BI-DIRECTIONAL CROSS-COUPLED DESIGN.
 MAX REFLOW TEMP. 240°C FOR 30 SEC., OR 260°C FOR 15 SEC.
 FOR RECOMMENDED FOOTPRINT SEE FP0013.

ENGLISH / METRIC ENGLISH	CHECKED BY				
TOLERANCES UNLESS OTHERWISE SPECIFIED MACHINED SURFACES TO BE 125 OR BETTER REMOVE ALL BURRS	DRAWN BY PBF				
ENGLISH (INCHES) .XX ±.02 .XXX ±.01	ENGINEER KJR	II	29JUN00	KJR	DEV. INI. ISS. PER 1228
METRIC (MM) .X ±.25 .XX ±.13	SCALE 2:1	REV	DATE	BY	DCN No. REMARKS
ANGLES ± 0° 30'	DATE 19JUL00	APPLIC: COAXIAL FILTER			TITLE: 6BCR6E-813/C25-D
COMNAV ENGINEERING INC.	FINISH: BOARD: TINPLATED COPPER JACKET: NI/SILVER RESONATOR: SILVER	DRAWING No. 0L0248			SHEET NO/OF 1 1