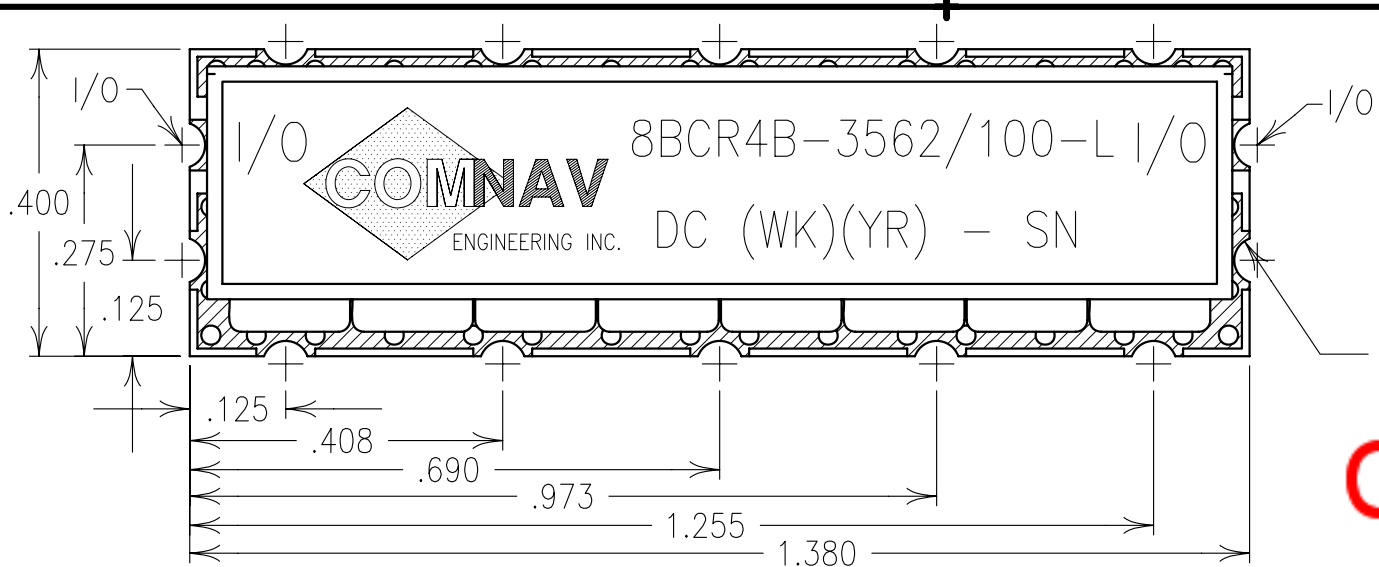


2

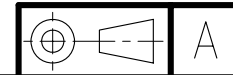
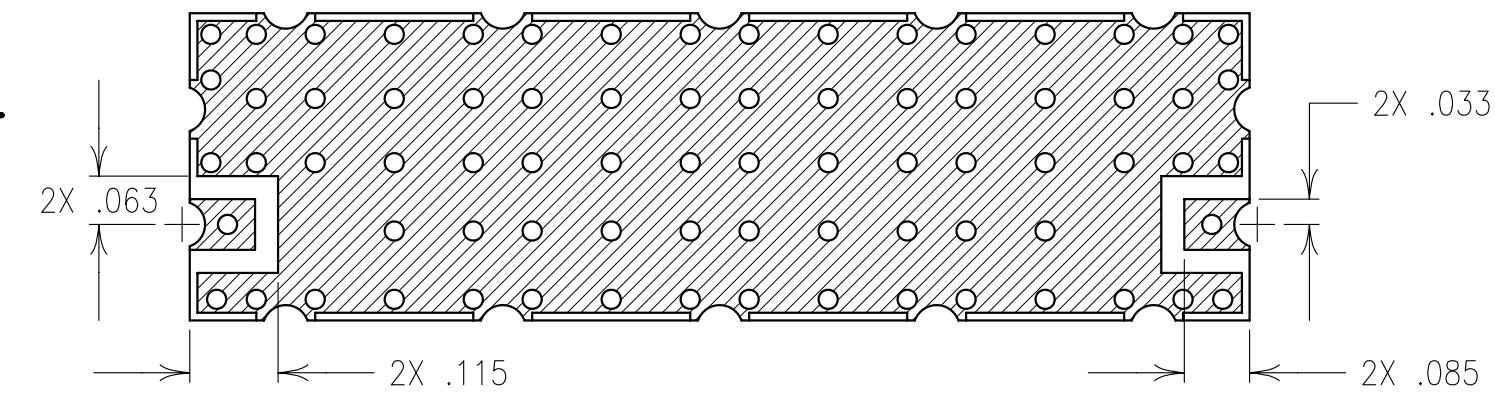
1



ELECTRICAL CHARACTERISTICS

CENTER FREQUENCY:	3562 MHz
3 dB BANDWIDTH:	100 MHz NOM
1.0 dB BANDWIDTH:	73 MHz MIN
INSERTION LOSS:	< 4.0 dB
VSWR:	1.7:1 TYP
50 dB REJECTION:	fo ±115 MHz
80 dB REJECTION:	fo ±800 MHz
TEMP. RANGE:	-40° TO 85°C

COPY



Confidential and Proprietary information of ComNav Engineering Inc. Do Not Duplicate or Use Without Permission. ComNav Engineering Inc. claims Copyright in this document as of the Creation, last revision, and last updated dates. All Rights Reserved.

NOTES:

RECOMMENDED ATTACHMENT METHOD: SILVER EPOXY OR REFLOW NOT TO EXCEED AS INDICATED BELOW:

TEMP.(°C)	MAX. TIME(SEC)
215	90
230	60
245	30
260	15

ENGLISH / METRIC ENGLISH	CHECKED BY						
TOLERANCES UNLESS OTHERWISE SPECIFIED MACHINED SURFACES TO BE 125 / OR BETTER REMOVE ALL BURRS	DRAWN BY PBF	A	14DEC04	TLA	DEV.	GEN. REV. PER 2322	
ENGLISH (INCHES) .XX ±.02 .XXX ±.01	ENGINEER SCP	II	05AUG99	MJG	DEV.	INIT. REV. PER 1065	
METRIC (MM) .X ±.25 .XX ±.13	SCALE 4:1	REV	DATE	BY	DCN No.	REMARKS	
ANGLES ± 0° 30'	DATE 14DEC04	APPLIC: COAXIAL FILTER				SHEET NO/OF 1 1	
COMNAV ENGINEERING INC.	FINISH: CARRIER BOARD:TIN PLATED COPPER JACKET:NI/SILVER RESONATOR:SILVER	TITLE: 8BCR4B-3562/100-L				DRAWING No. 0L0206	